

## Articles in this section

Pro-H Spec Sheet


## Pro-H Spec Sheet

4 years ago

**PRO-H** COMMERCIAL / INDUSTRIAL CONTINUOUS DUTY BELT DRIVE JACKSHAFT WITH EMERGENCY CHAIN HOIST  
Designed for use on commercial / industrial sectional doors with high or vertical lift track and rolling doors and grilles

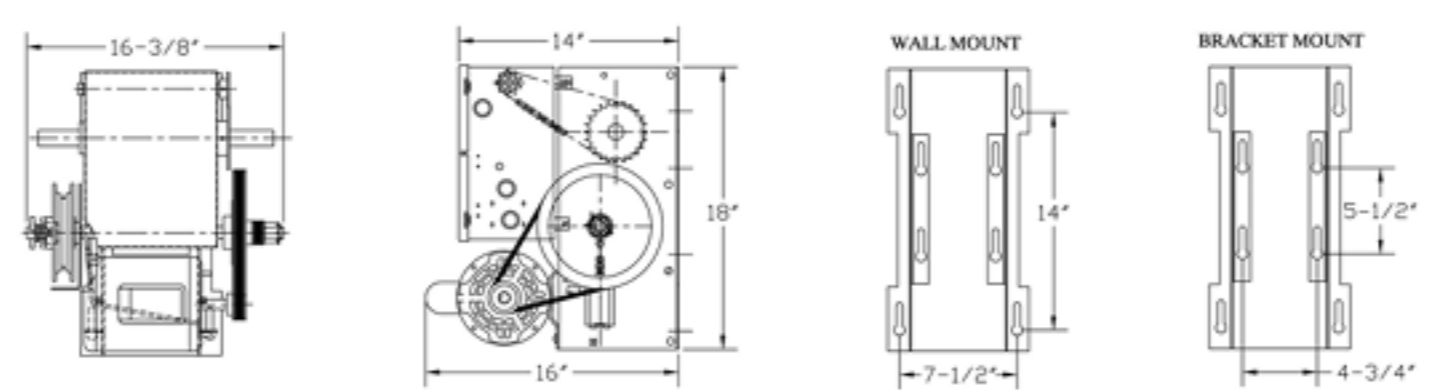
**STANDARD FEATURES**

- 2 year Warranty
- 24V class 2 control circuit with 40VA transformer to protect against short circuit
- On board receiver with antenna
- External radio control terminal strip
- Low friction powder metal limit cam nuts with fully adjustable rotary type limit switch assembly
- Three button open-close-stop control station Nema-1
- Continuous duty industrial motor with overload protection
- Motor removable without affecting limit settings
- Heavy duty 5L V-belt
- #41 roller chain & sprockets on all internal drives
- Adjustable friction clutch
- Mechanical brake system
- Solenoid brake recommended for large doors (optional PRO-HB)
- #50 roller chain and sprockets on final drive
- 3/4" permanently lubricated & sealed precision ball bearings on pulley shaft
- 1" permanently lubricated & sealed ball bearings on final drive shaft
- Emergency chain hoist with electrical cut-out switch for manual operation
- Chain keeper
- Left or right hand mounting (must specify at time of order)
- Shipping weight 100 lbs
- Baked on dark grey coat finish
- N-1 photocells included for doors up to 24' wide



**When ordering a PRO-H operator, supply Nice with the following information:**

- Door height
- Door width
- Type of door
- Horsepower
- Voltage/ Phase
- Safety devices
- Door shaft diameter & door shaft key size
- Mounting (LH or RH, Bracket or Wall mount)
- Control circuit options (see page 5-6)



montreal | phoenix | atlanta | chicago

1 (877) 888 1116


[Nice\\_Spec-Sheet\\_PRO-H.pdf](#)

1000 KB · Download

## Recently viewed articles

[Pro-LHA Spec Sheet](#)
[Pro-LH Spec Sheet](#)
[Pro-EJ Architectural Specifications](#)
[Pro-J Spec Sheet](#)
[Pro-LJ Spec Sheet](#)

## Related articles

[Pro-H Instruction Manual - English](#)
[Pro-H Shop Drawing](#)
[Pro-H Mechanical Drawing \(3D\)](#)
[Pro-HBH Spec Sheet](#)
[Pro-GH Spec Sheet](#)