

## Articles in this section

[Pro-LH Spec Sheet](#)


# Pro-LH Spec Sheet

4 years ago

**PRO-LH** **COMMERCIAL LIMITED DUTY BELT DRIVE JACKSHAFT WITH EMERGENCY CHAIN HOIST**  
*Designed for use on commercial sectional doors with high or vertical lift track and small rolling grilles that require no more than 15 cycles per hour*

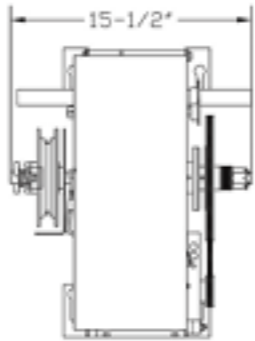
**STANDARD FEATURES**

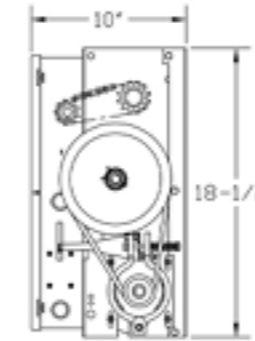
- **2 year Warranty**
- 24V class 2 control circuit with 40VA transformer to protect against short circuit
- On board receiver with antenna
- External radio control terminal strip
- Low friction powder metal limit cam nuts with fully adjustable rotary type limit switch assembly
- Three button open-close-stop control station Nema-1
- 1/2 HP high starting torque, instant reversible motor protected by internal automatic thermal overload device
- Heavy duty 4L V-belt
- #41 roller chain & sprockets on all internal drives
- Adjustable friction clutch
- 3/4" permanently lubricated & sealed ball bearings on pulley shaft
- 1" permanently lubricated & sealed ball bearings on final drive shaft
- Solenoid brake standard
- Emergency chain hoist with electrical cut-out switch for manual operation
- Chain keeper
- Left or right hand mounting (must specify at time of order)
- #41 roller chain and sprockets on final drive
- Baked on dark grey coat finish
- Shipping weight 70 lbs
- N-1 photocells included for doors up to 24' wide



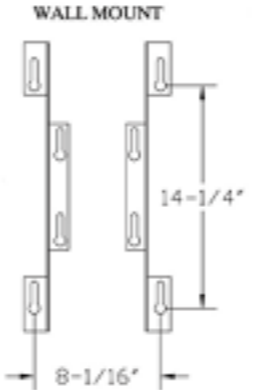
**When ordering a PRO-LH operator, supply Nice with the following information:**

- Door height
- Door width
- Type of door
- Voltage/ Phase
- Safety devices
- Door shaft diameter & door shaft key size
- Mounting (LH or RH, Bracket or Wall mount)
- Control circuit options (see page 5-6)

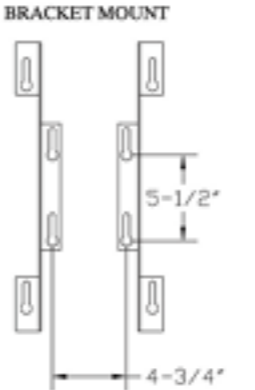




**WALL MOUNT**



**BRACKET MOUNT**



montreal | phoenix | atlanta | chicago

1 (877) 888 1116


[Nice\\_Spec-Sheet\\_PRO-LH.pdf](#)

800 KB · Download

### Recently viewed articles

[Pro-EJ Architectural Specifications](#)
[Pro-J Spec Sheet](#)
[Pro-LJ Spec Sheet](#)
[Door Product Spotlight](#)
[Nice Commercial Operator Brochure](#)

### Related articles

[Pro-LH Instruction Manual - English](#)
[Pro-H Spec Sheet](#)
[Pro-LHA Spec Sheet](#)
[Pro-LHA Instruction Manual - English](#)
[Pro-LJ Spec Sheet](#)